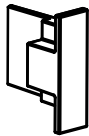
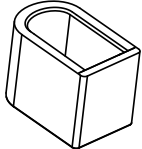

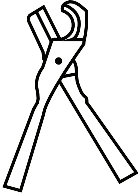


STREET WRAP™ FLEX SIDE-BEND INSTALL INSTRUCTIONS

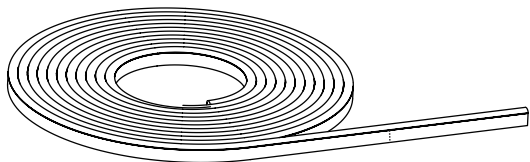
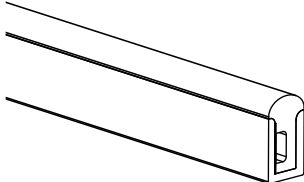
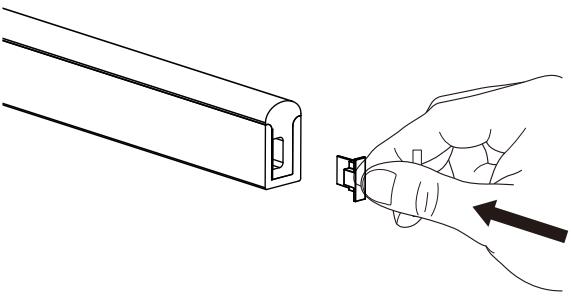
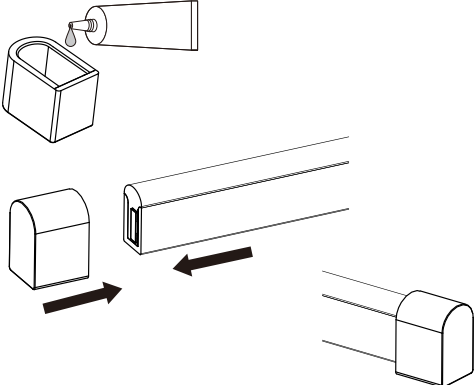


CUTTING AND CONNECTION

Installation Tools

				<ol style="list-style-type: none">1. Silicone Insert2. Silicone End Cap3. Silicone Glue4. Pipe Cutter
1.	2.	3.	4.	

Instructions for Cutting and Connection

<p>1. Cut on the designated cut mark.</p> 	<p>2. Clean cut end before next steps.</p> 
<p>3. Install silicone insert after cut.</p> 	<p>4. Apply silicone glue to silicone end cap, making sure that the cut section is completely sealed.</p> 

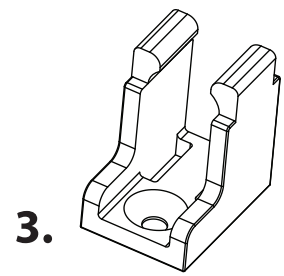
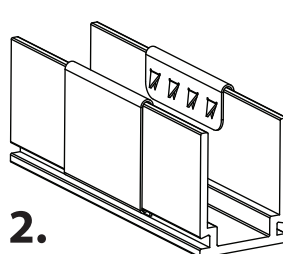
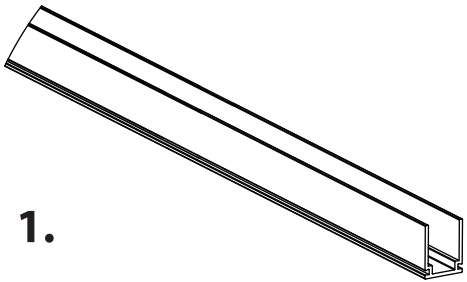
STREET WRAP™ FLEX **SIDE-BEND**

INSTALL INSTRUCTIONS

Install Instructions

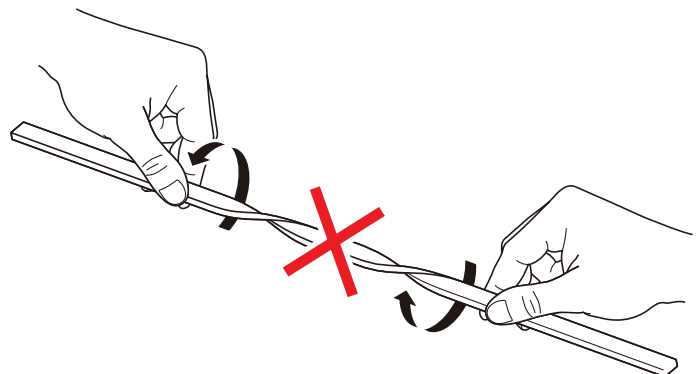
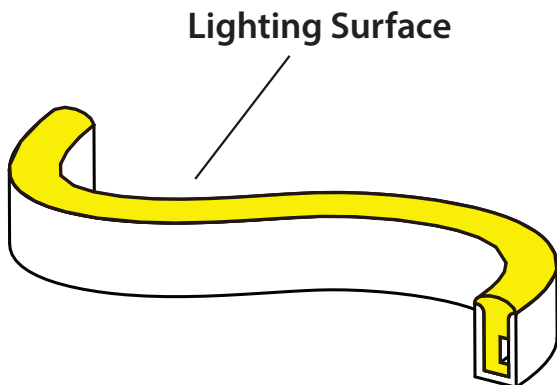
Mounting Accessories

1. 8 ft. aluminum extrusion
2. 2" Aluminum Clip
3. Clear Clip



Notes: There are no pre-drilled holes in the aluminum extrusion, please drill holes accordingly to meet field requirements, using the appropriate screw.

Installation and Warning



Side-Bend only bends as shown above.

Do not twist or bend sharper than 90°.

For specs visit: P-LED.com/product/families/street-wrap-flex